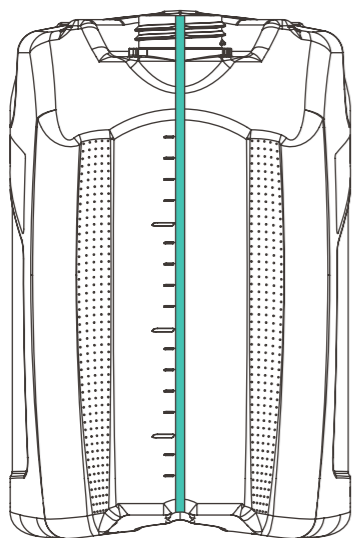
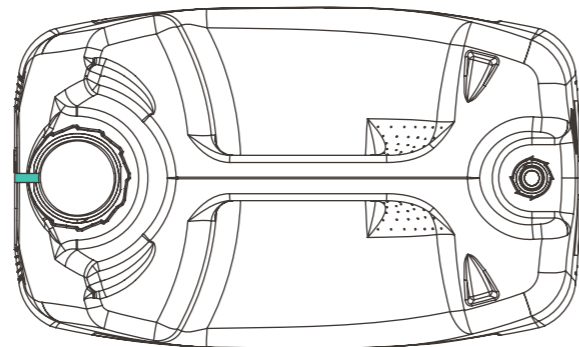
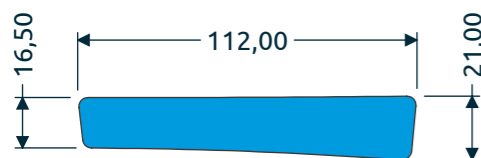
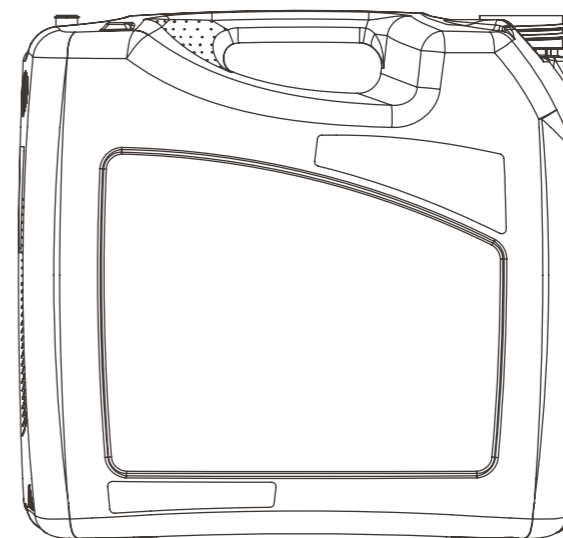
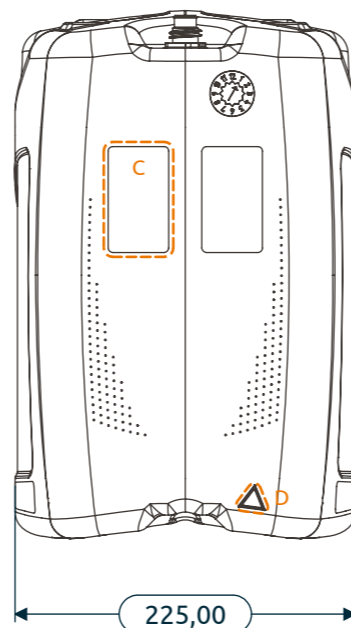
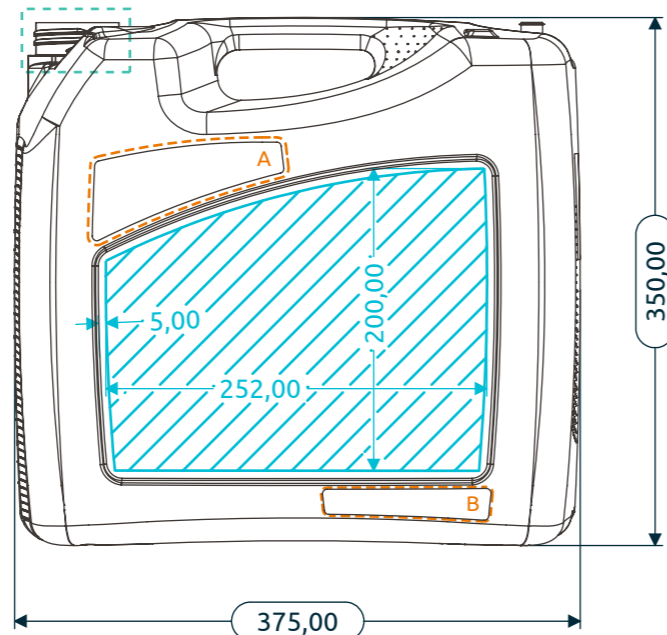


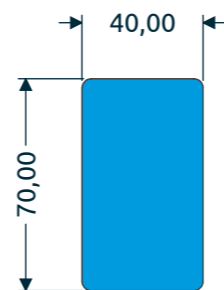
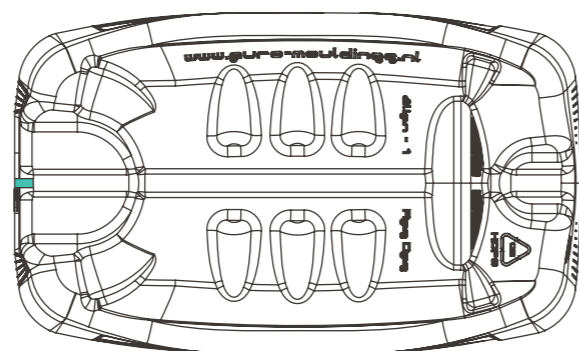
DETAIL A | SHOULDER LOGO  
SCALE 2 : 5



Neck : HZ456 / DIN61



DETAIL B | BOTTOM LOGO  
SCALE 2 : 5



DETAIL C | BACKPLATE LOGO  
SCALE 2 : 5



DETAIL D | TACTILE WARNING  
SCALE 1 : 1

Applicable to :

