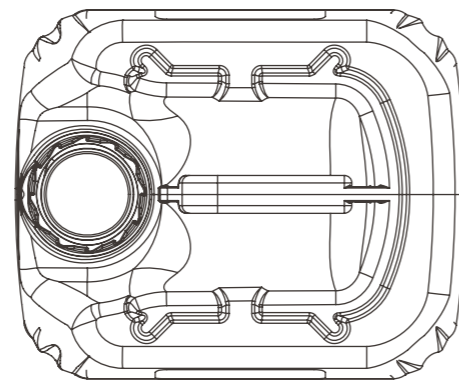
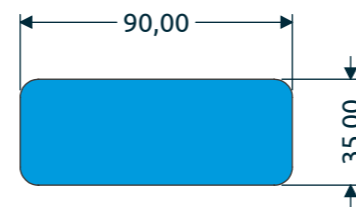
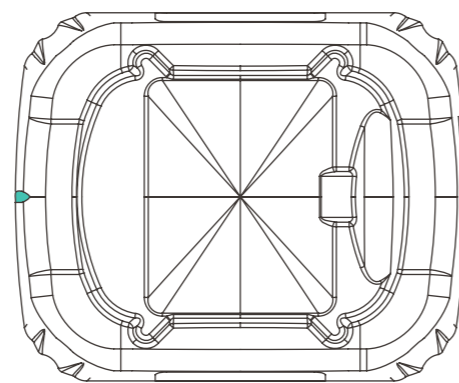
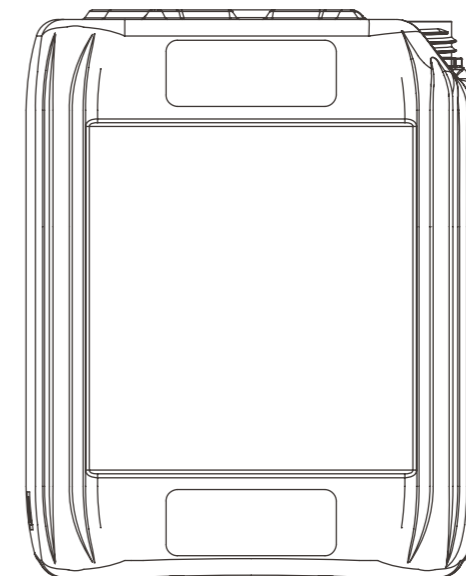
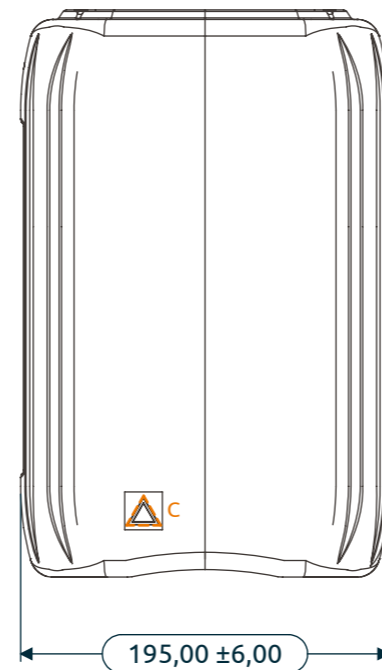
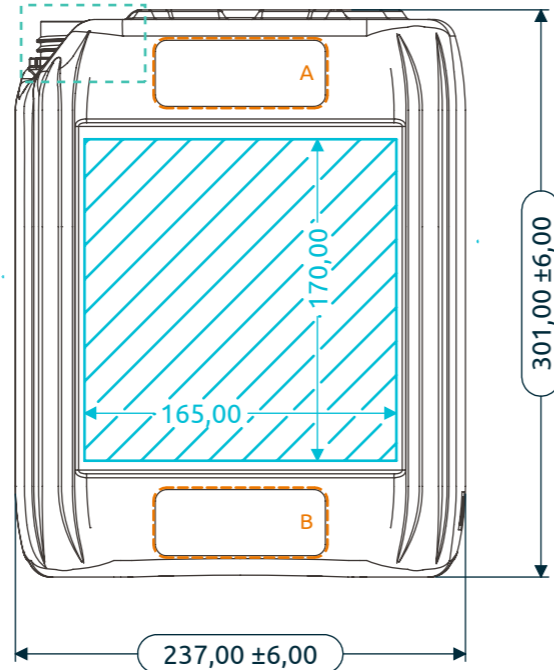
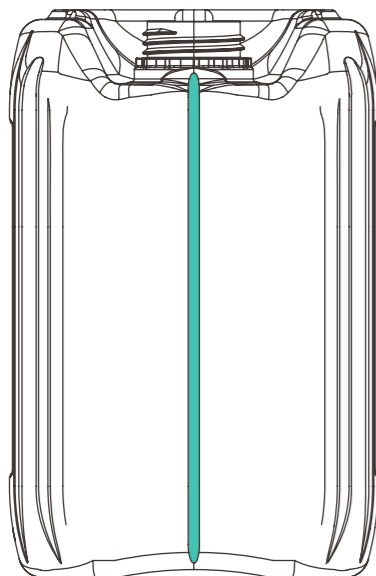


DETAIL A | SHOULDER LOGO
SCALE 2 : 5



Neck: DIN45 / DIN51 / DIN61



DETAIL B | BOTTOM LOGO
SCALE 2 : 5



DETAIL C | TACTILE WARNING
SCALE 1 : 1

Applicable to :

- Lubricant industry
- Chemical industry
- Agrochemical industry
- Food industry