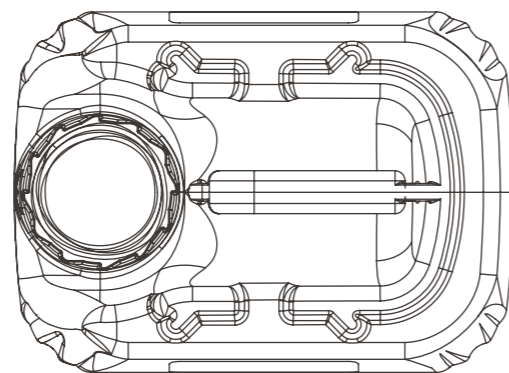
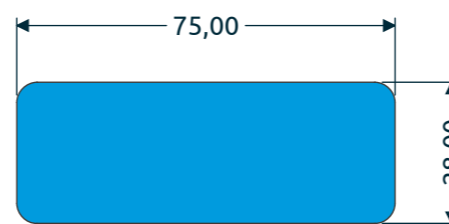
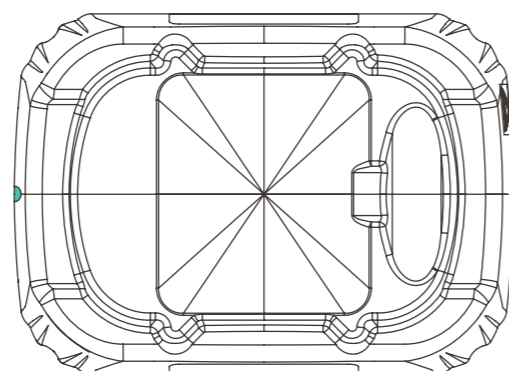
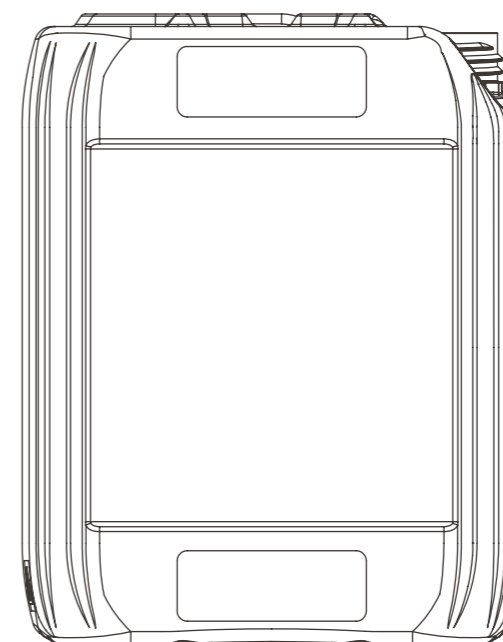
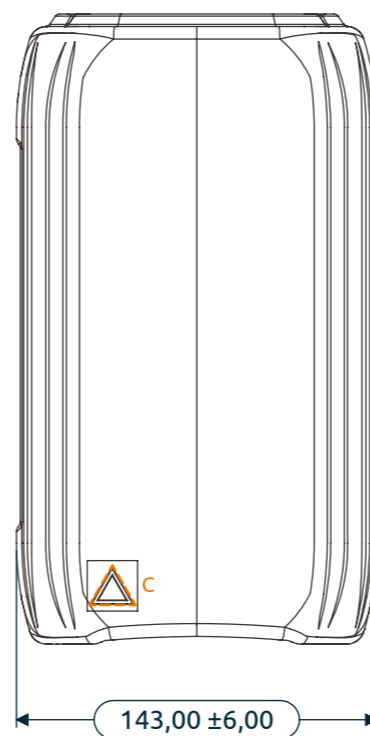
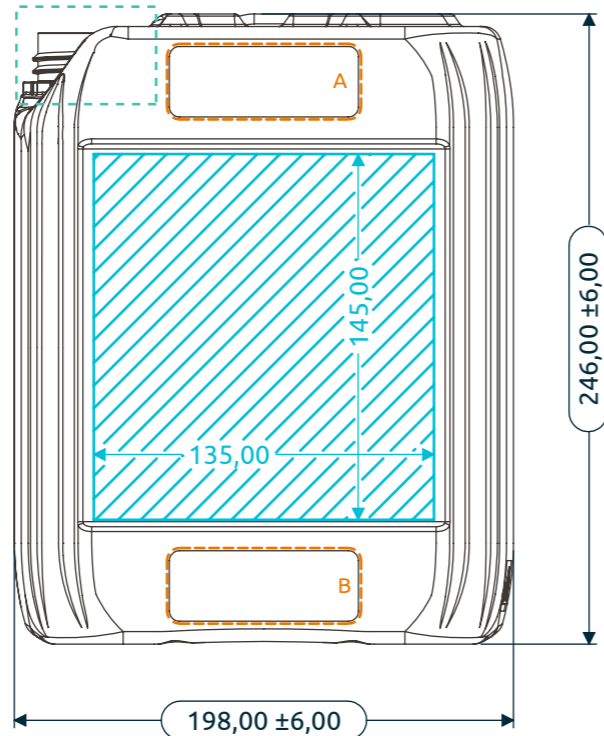
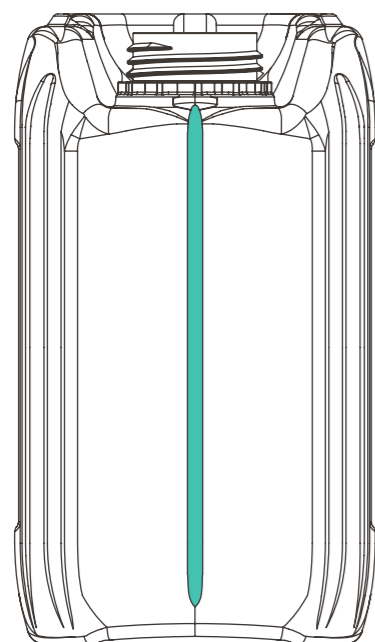


DETAIL A | SHOULDER LOGO
SCALE 2:3



Neck : DIN51



DETAIL B | BOTTOM LOGO
SCALE 2:3



DETAIL C | TACTILE WARNING
SCALE 1:1

Applicable to :

- Lubricant industry
- Chemical industry
- Agrochemical industry
- Food industry