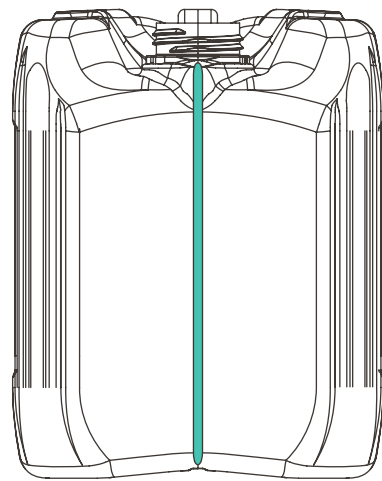
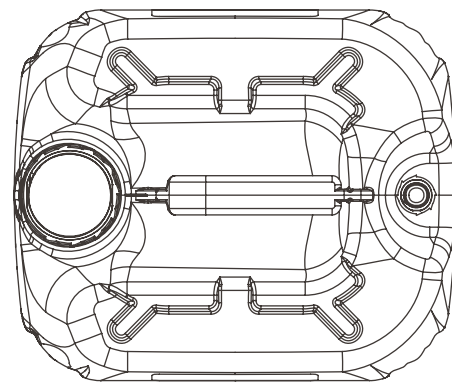
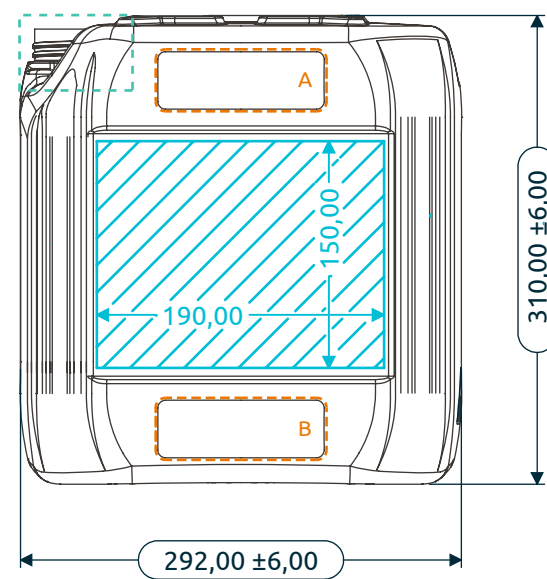


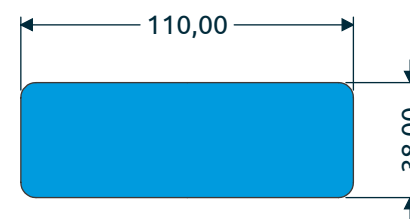
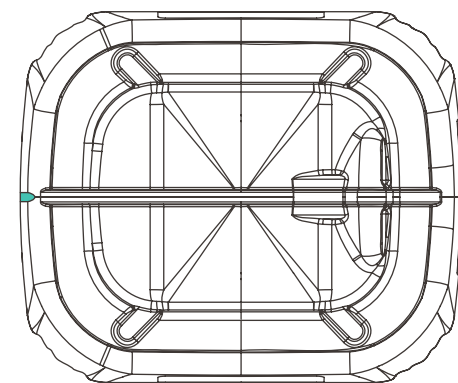
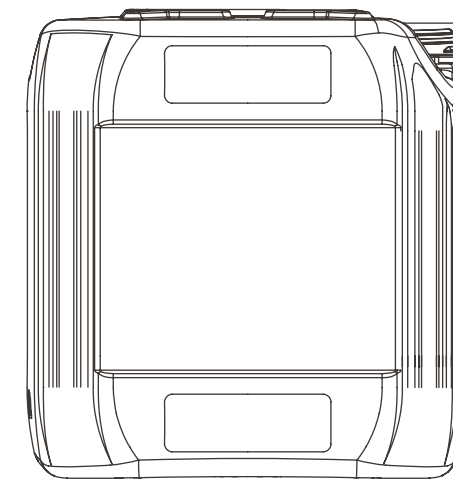
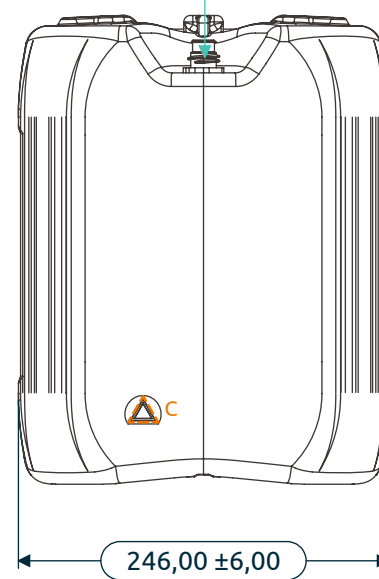
DETAIL A | SHOULDER LOGO
SCALE 2 : 5



Neck: DIN51 / DIN61



Venting is not standard



DETAIL B | BOTTOM LOGO
SCALE 2 : 5



DETAIL C | TACTILE WARNING
SCALE 1 : 1

Applicable to :

-  Lubricant industry
-  Chemical industry
-  Agrochemical industry
-  Food industry