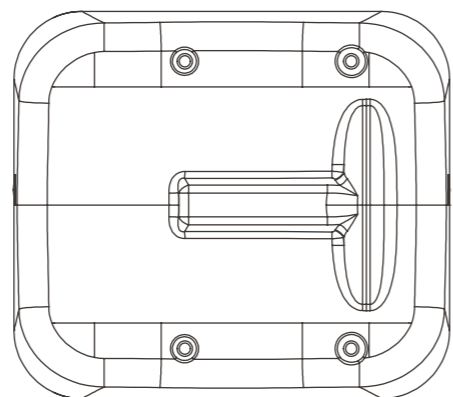
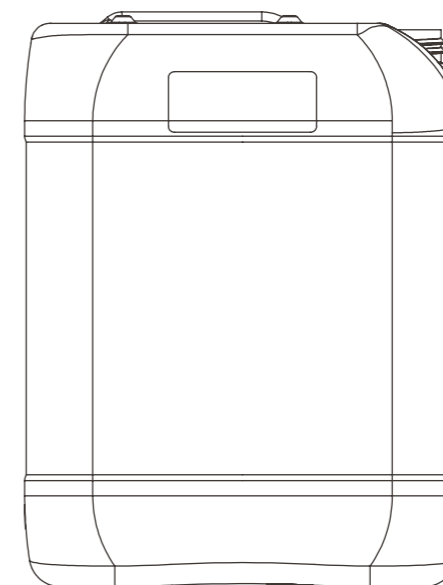
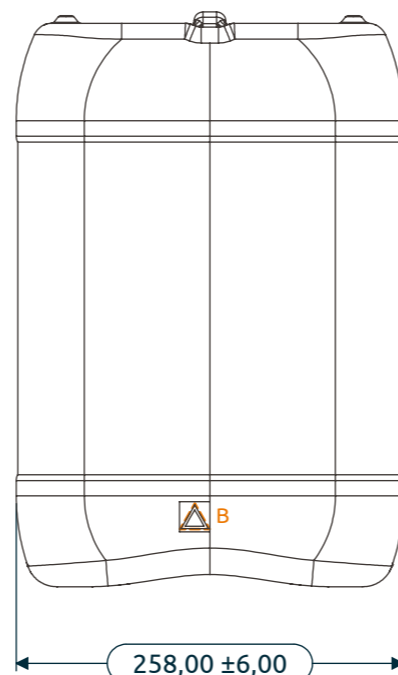
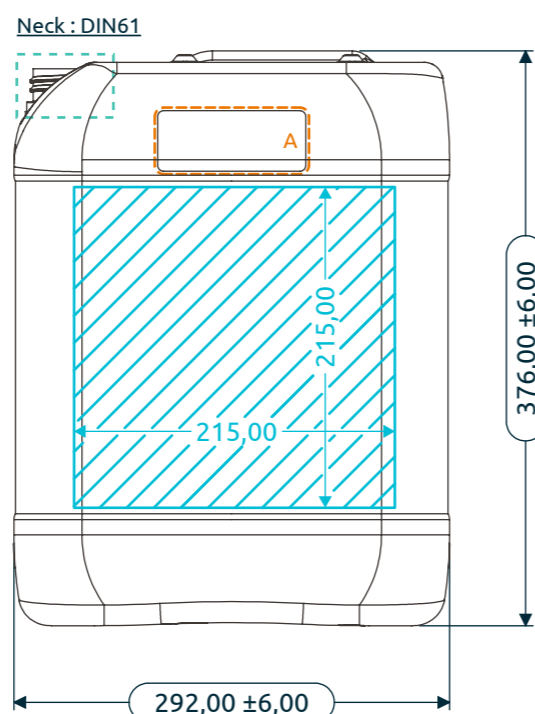
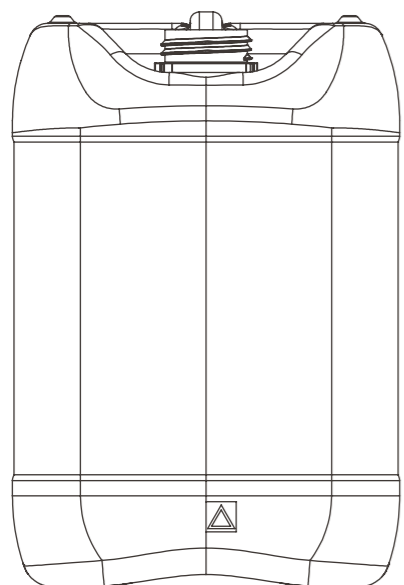
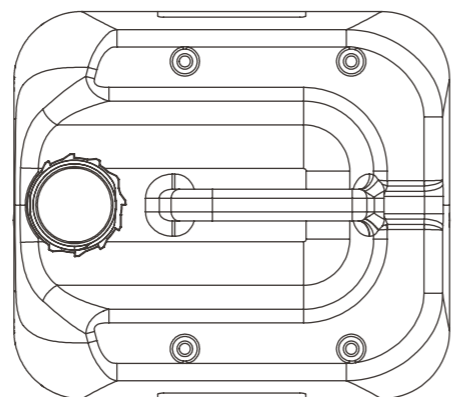


DETAIL A | SHOULDER INSERT (N/A)
SCALE 2 : 5



DETAIL B | TACTILE WARNING
SCALE 1 : 1

Applicable to :

-  Lubricant industry
-  Chemical industry
-  Agrochemical industry
-  Food industry