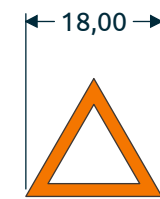
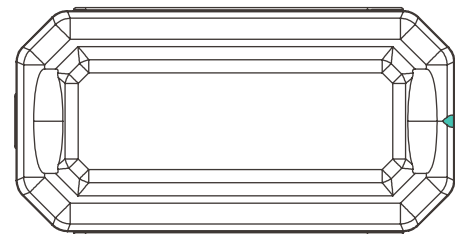
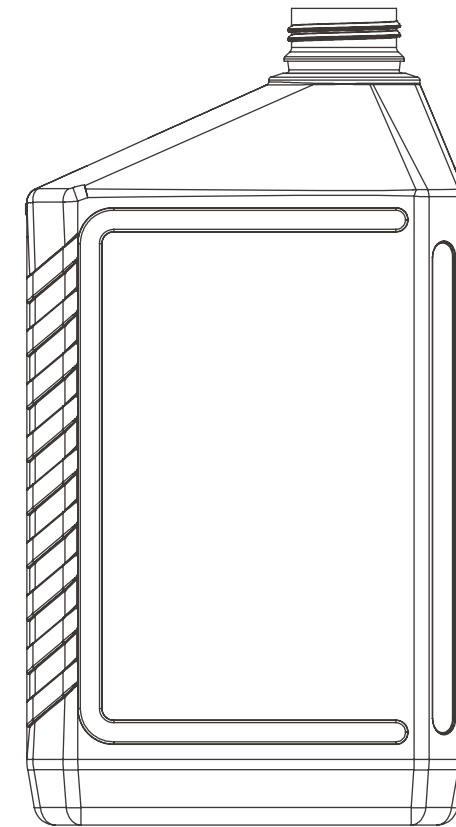
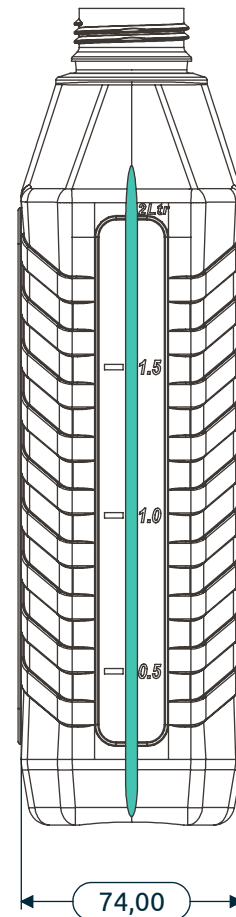
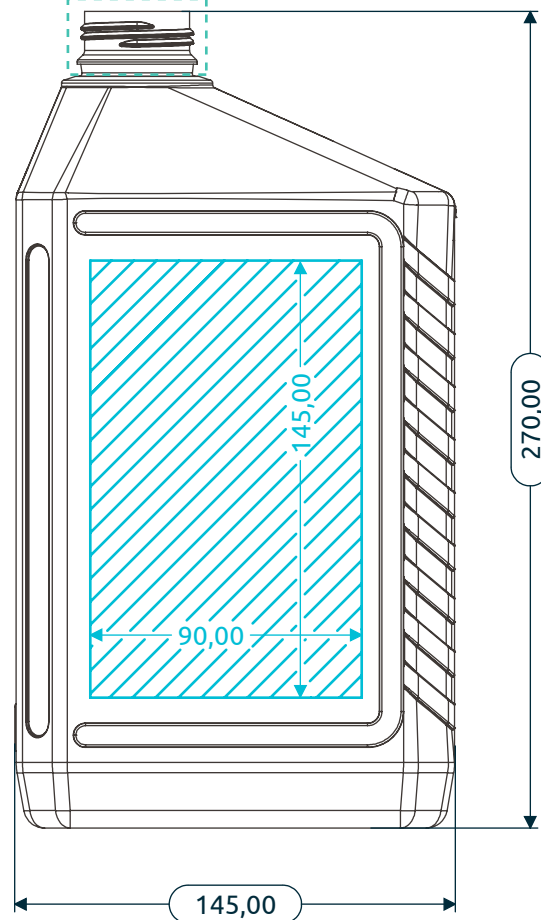
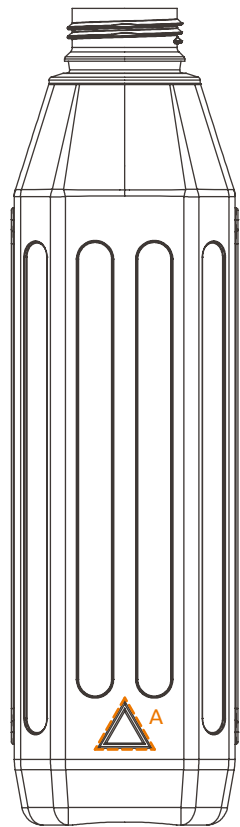


Neck: DIN38



DETAIL A | TACTILE WARNING  
SCALE 1:1

Applicable to:

- Lubricant industry
- Chemical industry
- Agrochemical industry