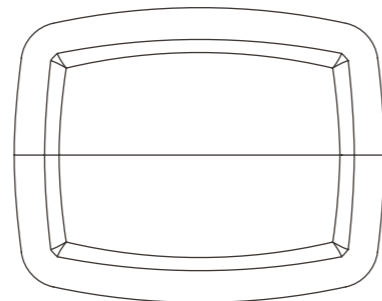
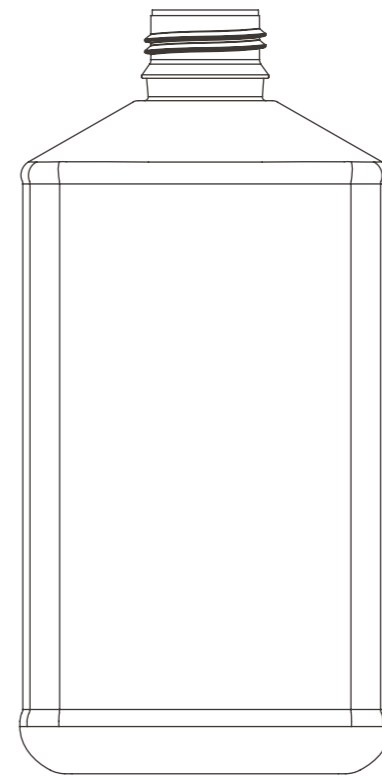
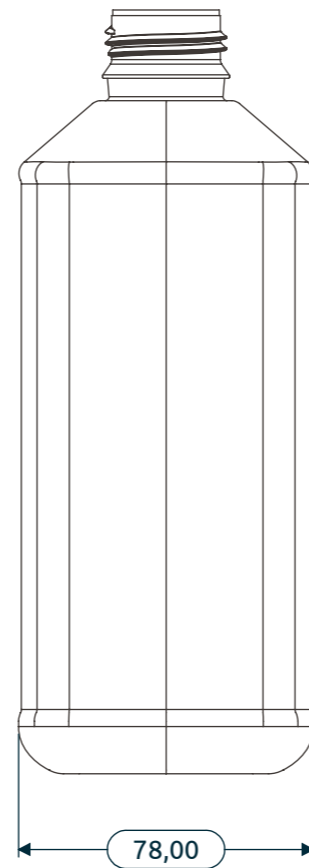
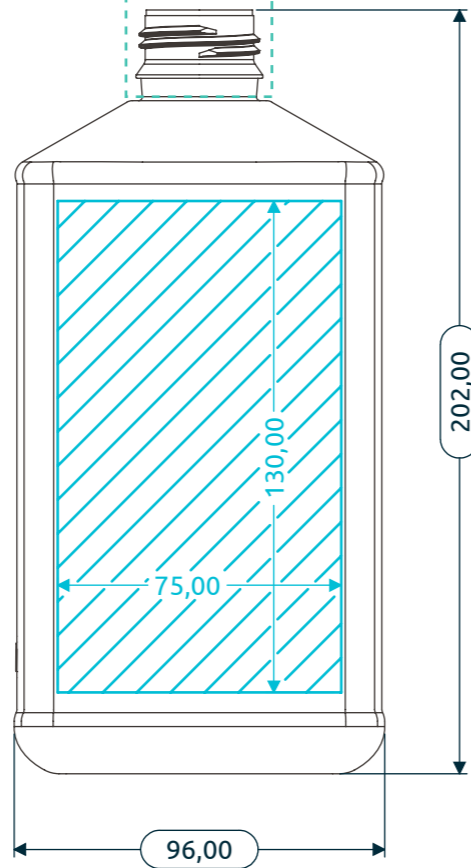
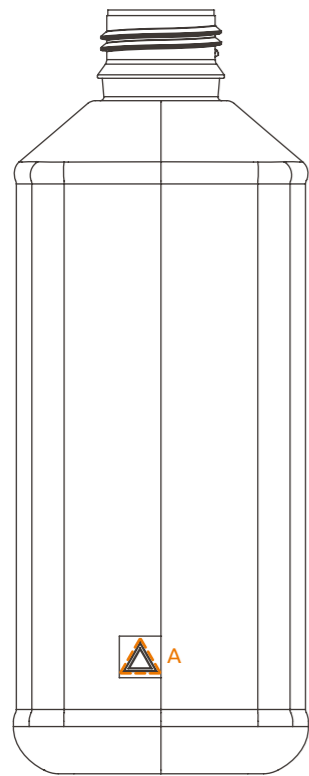



Neck: 28/410 / 32 MM



DETAIL A | TACTILE WARNING  
SCALE 1.5 : 1

Applicable to :

-  Lubricant industry
-  Chemical industry
-  Agrochemical industry